



LOW
 PROFILE
 DESIGN

BT8442

UNIVERSAL FLAT SCREEN WALL MOUNT



Designed for large sized screens, the BT8442 supports weights up to 80kg and features a low-profile design that mounts screens just 30mm from the wall. The universal interface accommodates mounting patterns up to 656 x 400mm and comes with adjustment screws which allow the screen to be levelled once mounted.

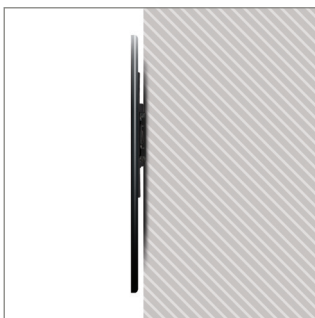
SPECIFICATION

Recommended screen size	up to 80"
Max load	80kg*
VESA® & non-VESA fixings	up to 656 x 400mm
Distance from wall	30mm
Colour	Black

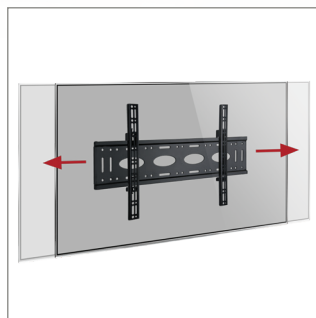
*Please note the maximum load is reduced to 50kg when single pole mounted

FEATURES

- Low profile design for a close to the wall installation
- Lateral adjustment of screen once mounted
- Levelling screws allow adjustment of screen height
- Compatible with B-Tech's collar and pole system for pole mounting screens
- Includes locking bar, security locking screws and Allen key to prevent unauthorised removal of the screen
- Simple 'hook-on' installation
- All mounting hardware included



Low profile design mounts screen only 30mm from the wall



Lateral adjustment of screen once mounted

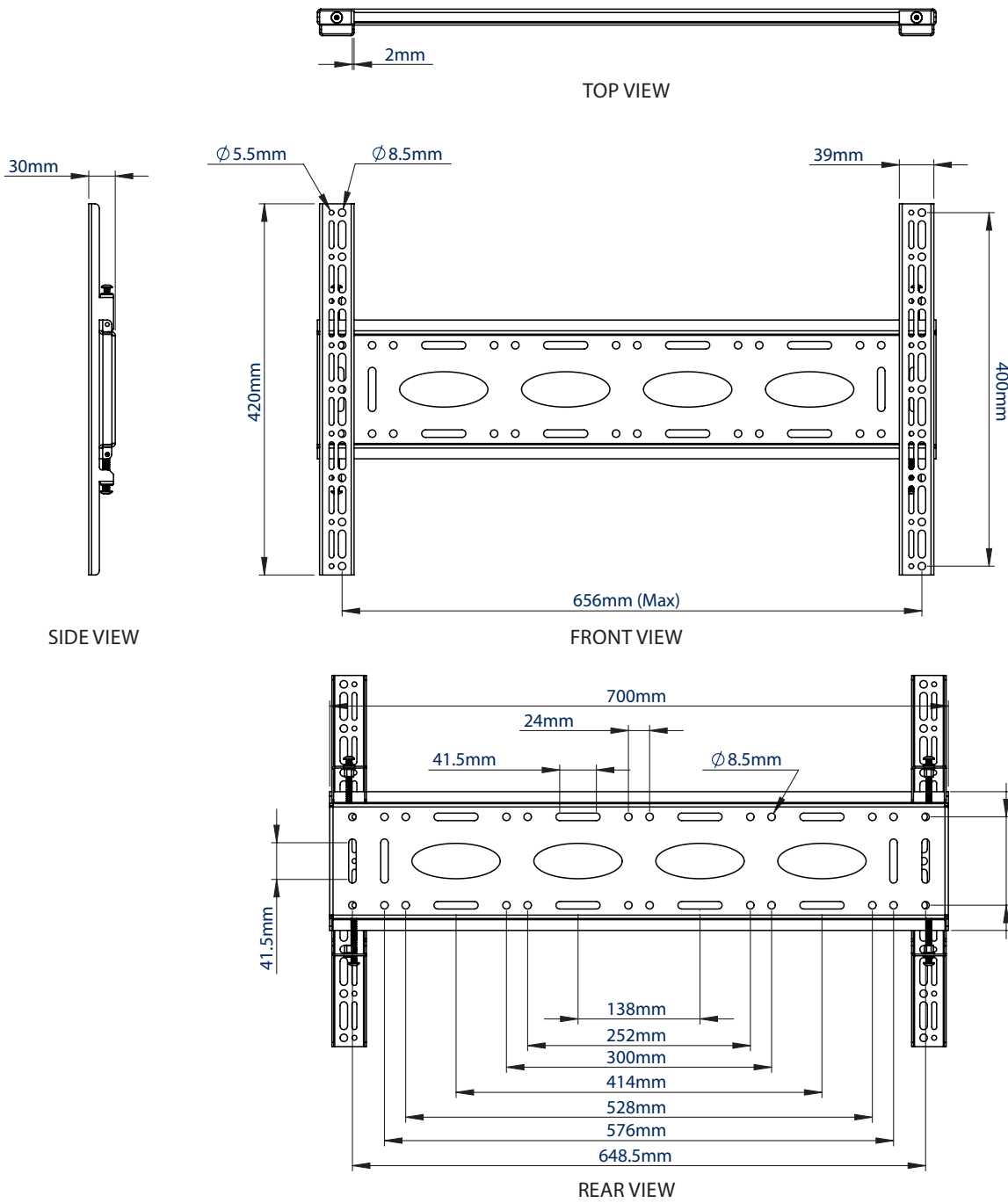


Levelling screws allow adjustment of screen height



Security locking screws help prevent unauthorised removal of screens





PACKING INFORMATION

COLOUR:	ORDER REF:	EAN CODE:	MASTER CARTON QTY:	INNER CARTON QTY:	MASTER CARTON WEIGHT:	MASTER CARTON CUBE:
Black	BT8442/B	5019318651229	4	0	16kg	0.0211cbm

RELATED PRODUCTS

<p>BT7822</p>	<p>BT7850</p>	<p>BT8441</p>	<p>BT8432</p>
----------------------	----------------------	----------------------	----------------------

Heavy Duty Floor / Ceiling Mount for ø50mm poles

50mm Diameter Poles available as 0.25m - 3m in Black, Silver or Chrome

Flat Screen Wall Mount for screens with VESA fixings up to 400 x 400mm

Flat Screen Wall Mount with Tilt for screens with VESA fixings up to 600 x 400mm

© 2016 B-Tech Av Mounts. All rights reserved. This information is for informational purposes only and does not constitute an offer of any product. B-Tech Av Mounts is not responsible for any damage or loss of data caused by improper use of its products. Any reproduction or distribution of any part of this specification is strictly prohibited unless prior written permission has been granted by B-Tech Av Mounts Manufacturing Ltd. SS-V2-BT8442-050819